



EXPERT-TÜNKERS RING CONVEYOR

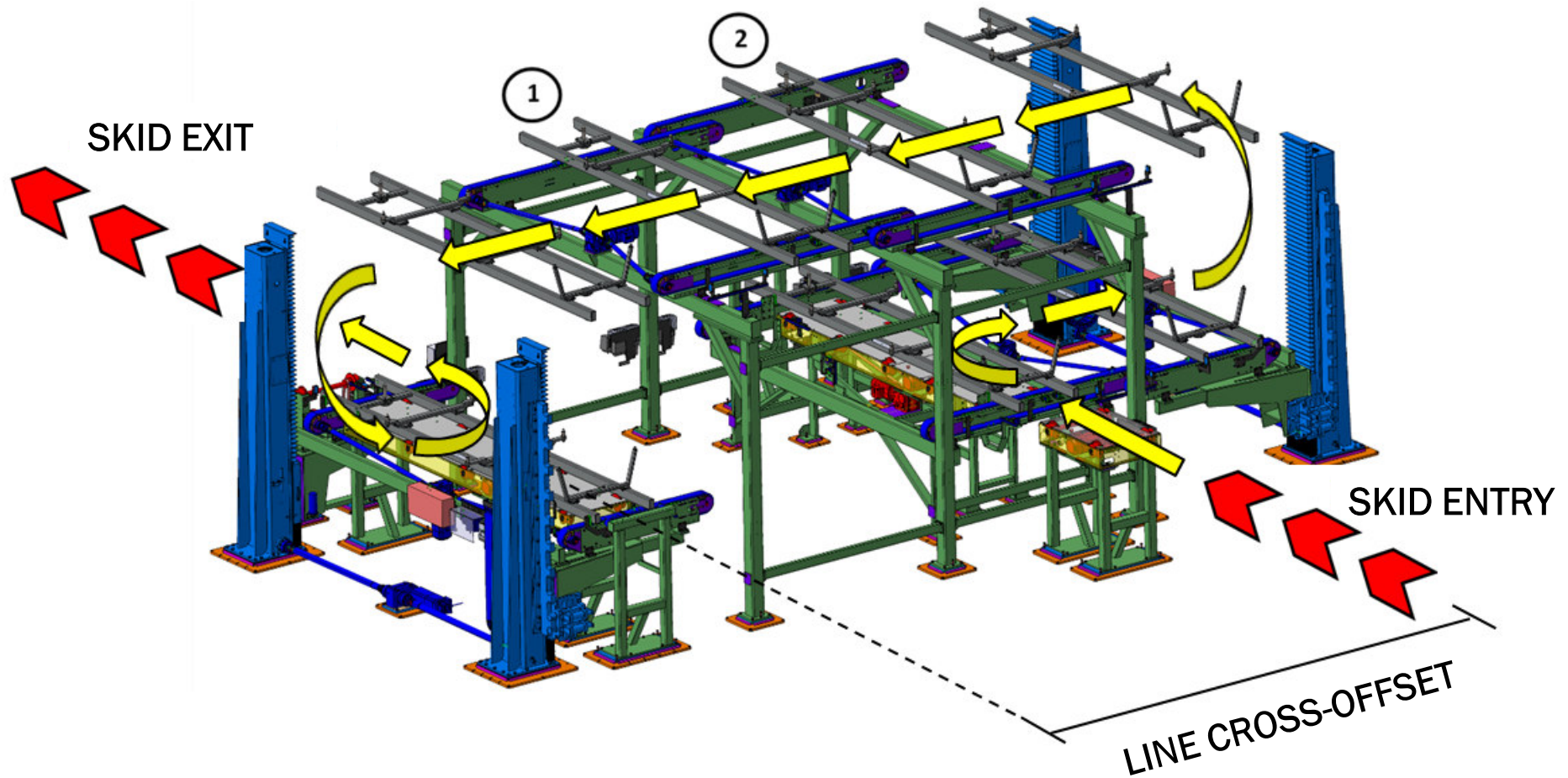
Compact Storage Solution for Production Lines



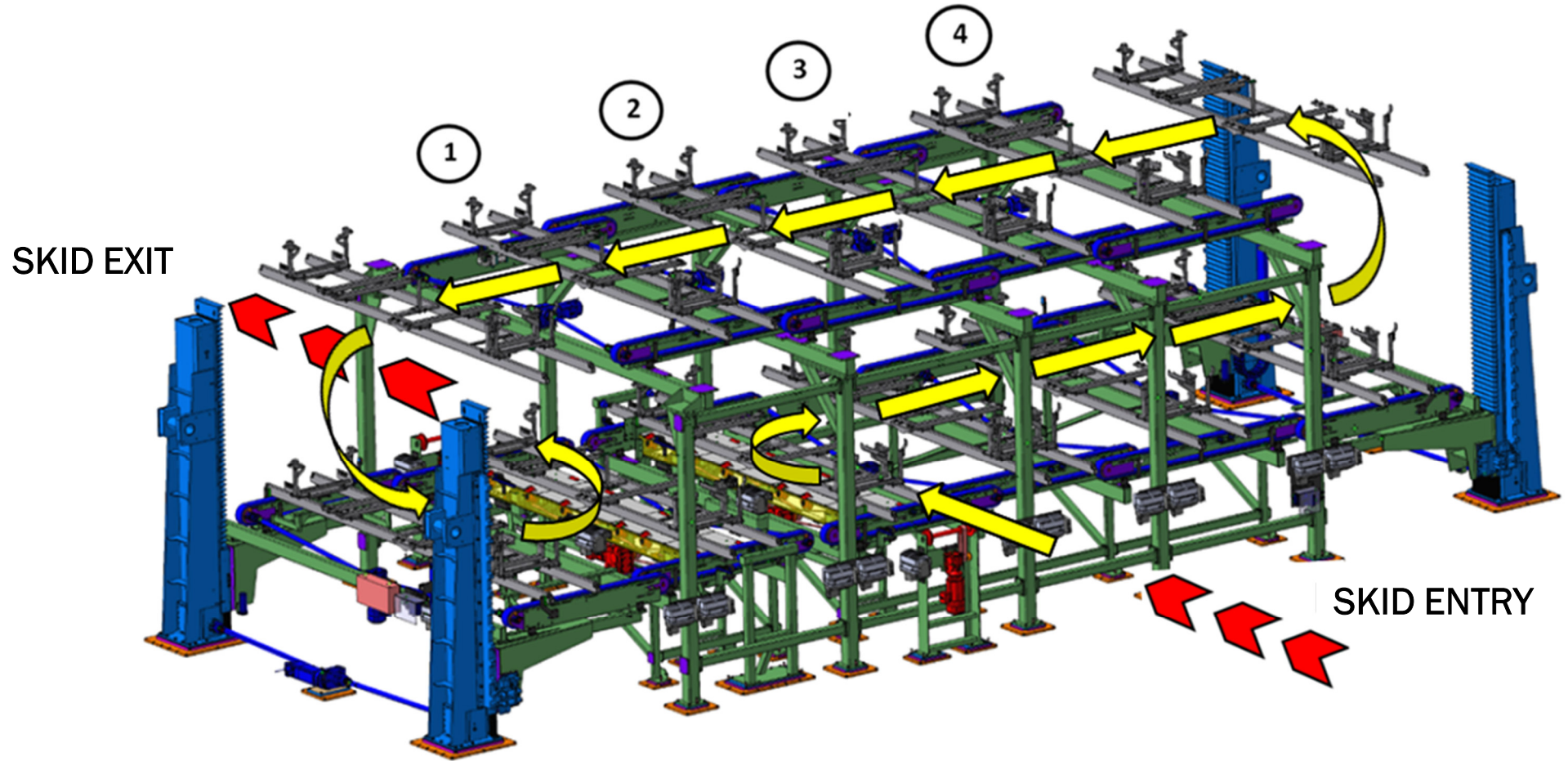
Storage space ➡ BUFFER ⬅ in your production line

↳ Maximum storage capacity by minimal space requirements

- Part storage for decoupling production lines
 - ➔ Car Body storage, compact due to second level
 - ➔ Extremely low maintenance
 - ➔ Simple and robust steel design
 - ➔ Modular setup with body-in-white – standard components
 - Cross-Conveyors
 - Powered Rollerbeds
 - Lift and Convey Units
- Flexible Layout Design
 - ➔ 4-slot, 6-slot or 8-slot Ring-Conveyor or more
 - ➔ Vertical lift up to 2800 mm
 - ➔ Variable cycle time
 - ➔ Individual and customized solutions possible



Example-Ring-Conveyor: 2 slots top / 1 slot bottom



Example-Ring-Conveyor: 4 slots top / 4 slot bottom

Several units successfully set up at a variety of customers

- AUDI Ingolstadt AU49x (A4)
- PORSCHE Leipzig P062x (Panamera)
- SEAT Matorell SE27x (Ibiza)

Thank you for your attention.

Contact:

EXPERT-TÜNKERS GmbH
Seehofstr. 56-58
64653 Lorsch

Phone +49 (0) 6251 / 592-0
Fax +49 (0) 6251 / 592-100

E-Mail sales@expert-tuenkers.de
Internet www.expert-tuenkers.com