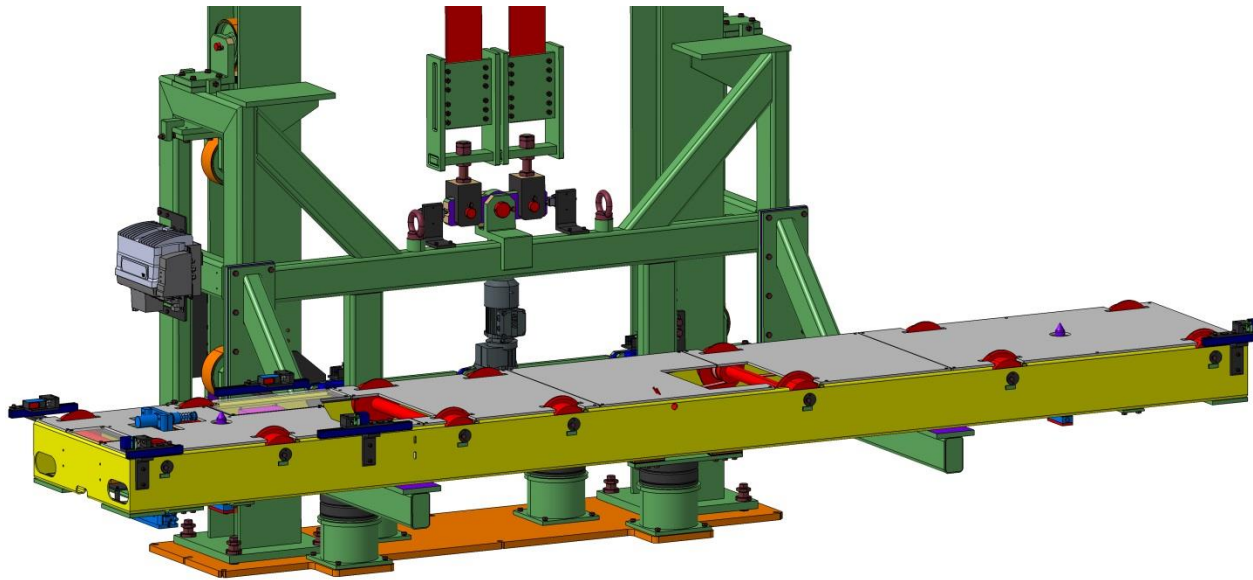




EXPERT-TÜNKERS

EGH | Level Lifter

Space saving - Robust - Accurate



Application

- Ideal solution for connecting the welding level to the upper conveying level
- Transport of components between different levels
- Lifter for ring-conveyor

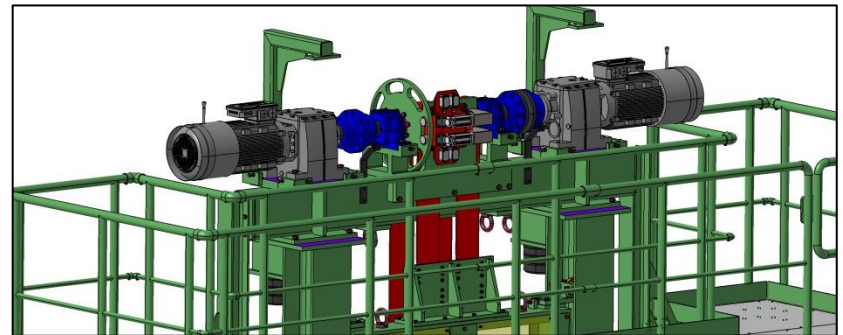
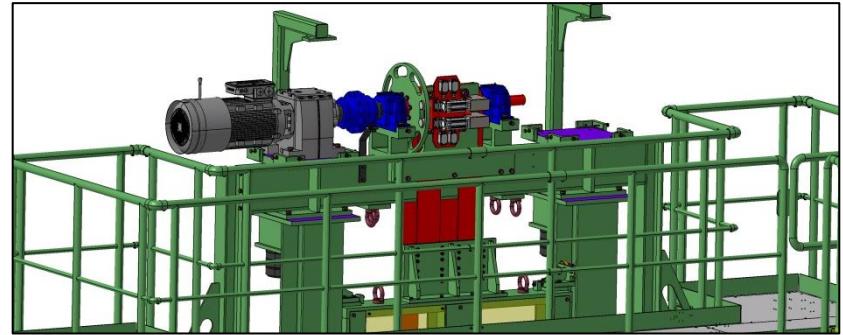
Technical Data:

- Vertical lift up to 20.000 mm
- Lifting speed $v_{\max} = 2,0 \text{ m/s}$
- Acceleration $a = 0,5 \text{ m/s}^2$
- Repeatability $\pm 1 \text{ mm}$
- Customer load up to 1.500 kg



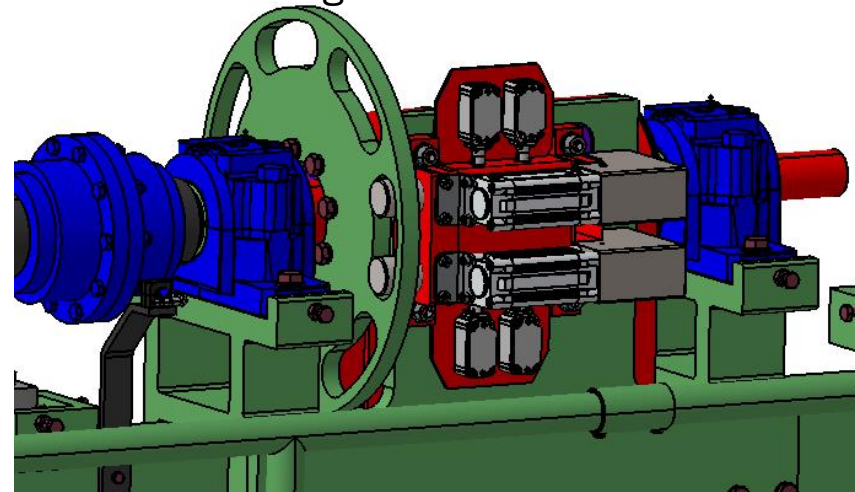
Drive unit with standby motor

- SEW Gearbox + Servo Motor: F67CMPZ100L , or according to customer specifications
- Precise control by means of frequency inverter / VFD
- Redundant motor as backup
- Quick coupling for fast exchange of motor
- Low downtimes



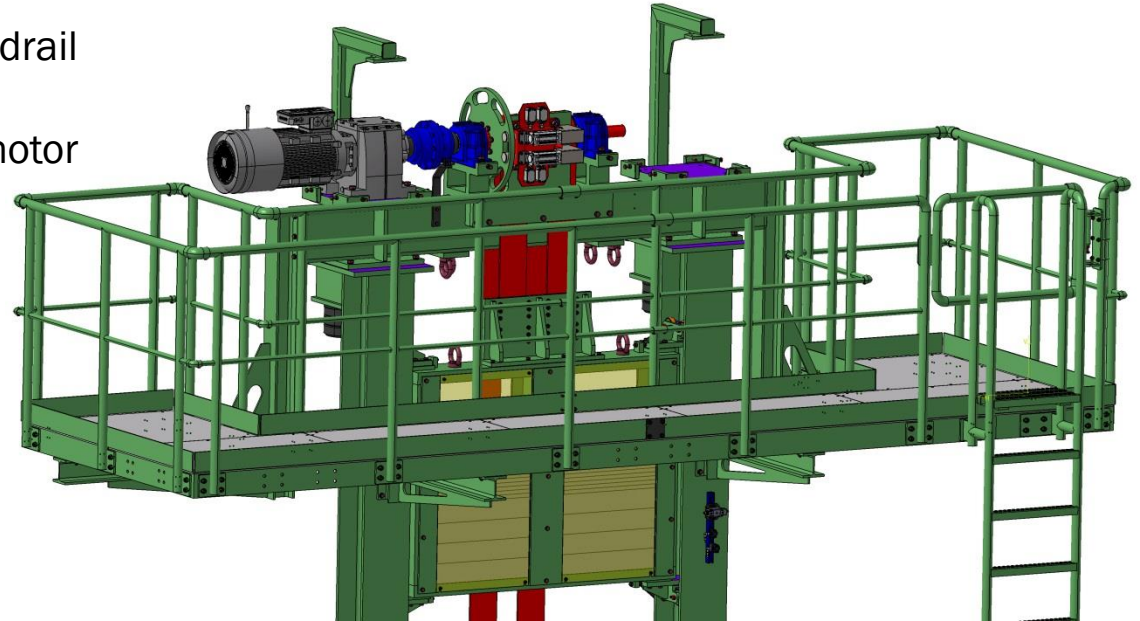
Pneumatic Maintenance locking device

- Type: Tünkens SAND-80-M-50-50-T01S,
or according to the customer specifications
- System monitored by limit switches
- Double cam system ensuring safe operation and locking



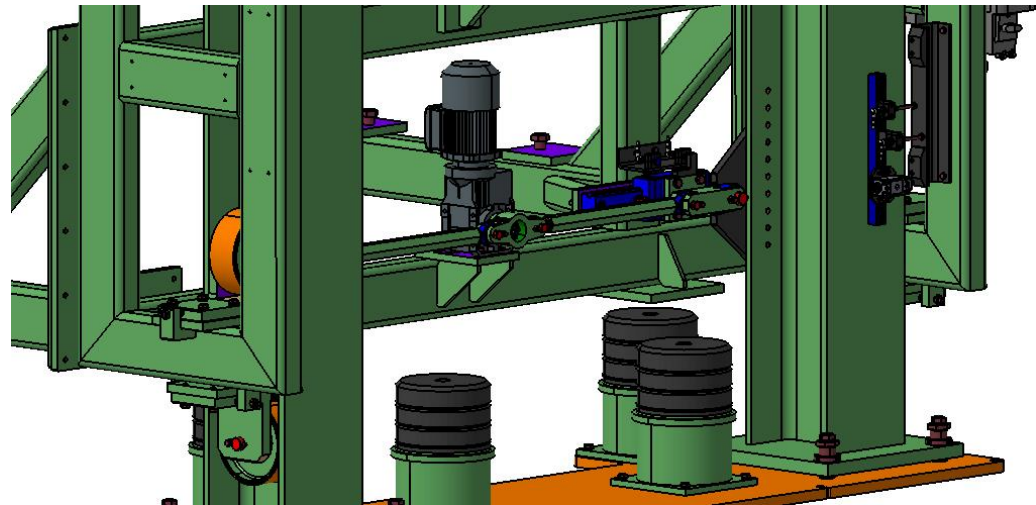
Maintenance platform

- Protective housing with handrail
- Gantry for removal of gearmotor
- Floor made of gratings
- All-round foot protection



Carriage locking mechanism

- Electromechanical locking device in lower and upper end position
- Riding along with the lifting carriage
- Positioning accuracy +/- 1 mm



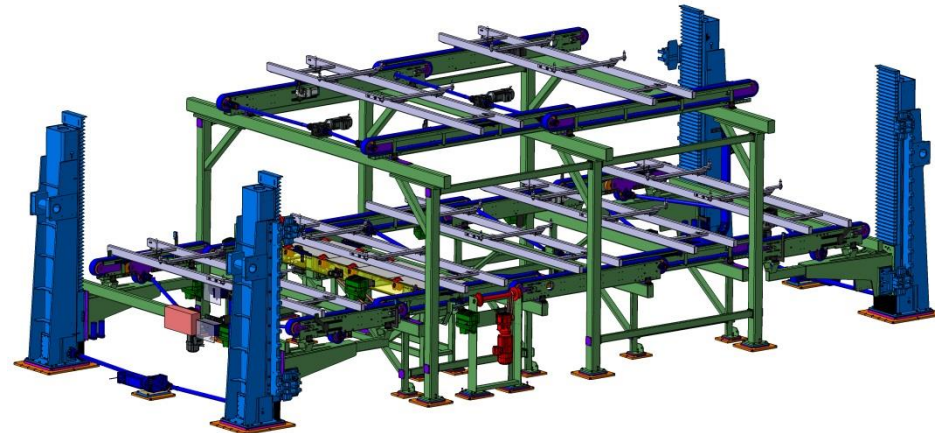


Salient features

- Flat drive belt with steel wire core
- Belt fracture detection
- 4-fold roller guide of the lifting carriage on the inside of the double T-profile

Do you know our conveyor systems??

- Lift Powered Lowerbed
<https://www.youtube.com/watch?v=BhrtRsA3-Ow>
- Skid-Cross-Conveyor & Skid-Ring-Conveyor
<https://www.youtube.com/watch?v=ysaWoWKtUEY>
- Flexible Rotary Tables
<https://www.youtube.com/watch?v=mft1s-4I3aw>



Customer	Project
Daimler Sindelfingen	BR223 31 pcs
VW Braunschweig	MEB 12 pcs
VWN Hannover	AU40X 2 pcs
Volvo Torslanda	CL60 6 pcs

Thank you for your attention.

Contact:

EXPERT-TÜNKERS GmbH
Seehofstr. 56-58
64653 Lorsch

Phone +49 (0) 6251 / 592-0
Fax +49 (0) 6251 / 592-100

E-Mail sales@expert-tuenkers.de
Internet www.expert-tuenkers.com