
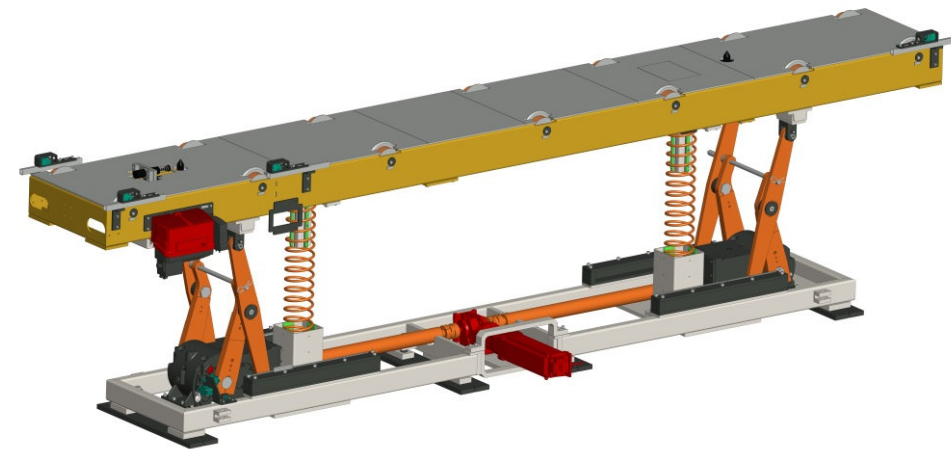


# EXPERT-TÜNKERS

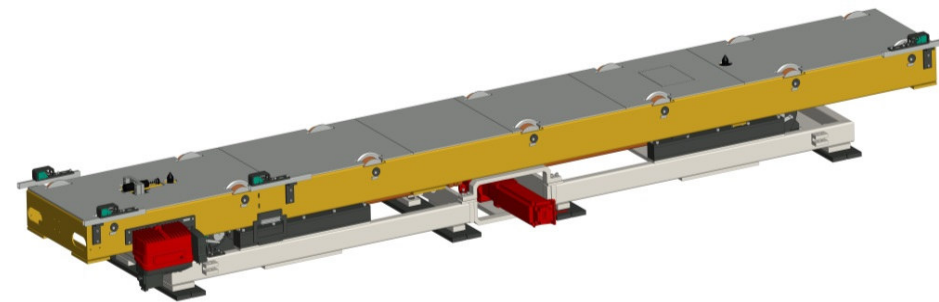
## Dual-Box-Lifter

## Compact roller bed-lifter with integrated spring energy storage system

-  Up to 900 kg Customer Load
-  200 - 800 mm Lifting Height
-  No Interfering Edges
-  Compact Dimensions
-  600 mm minimal Height
-  **-30%** Less Energy Consumption

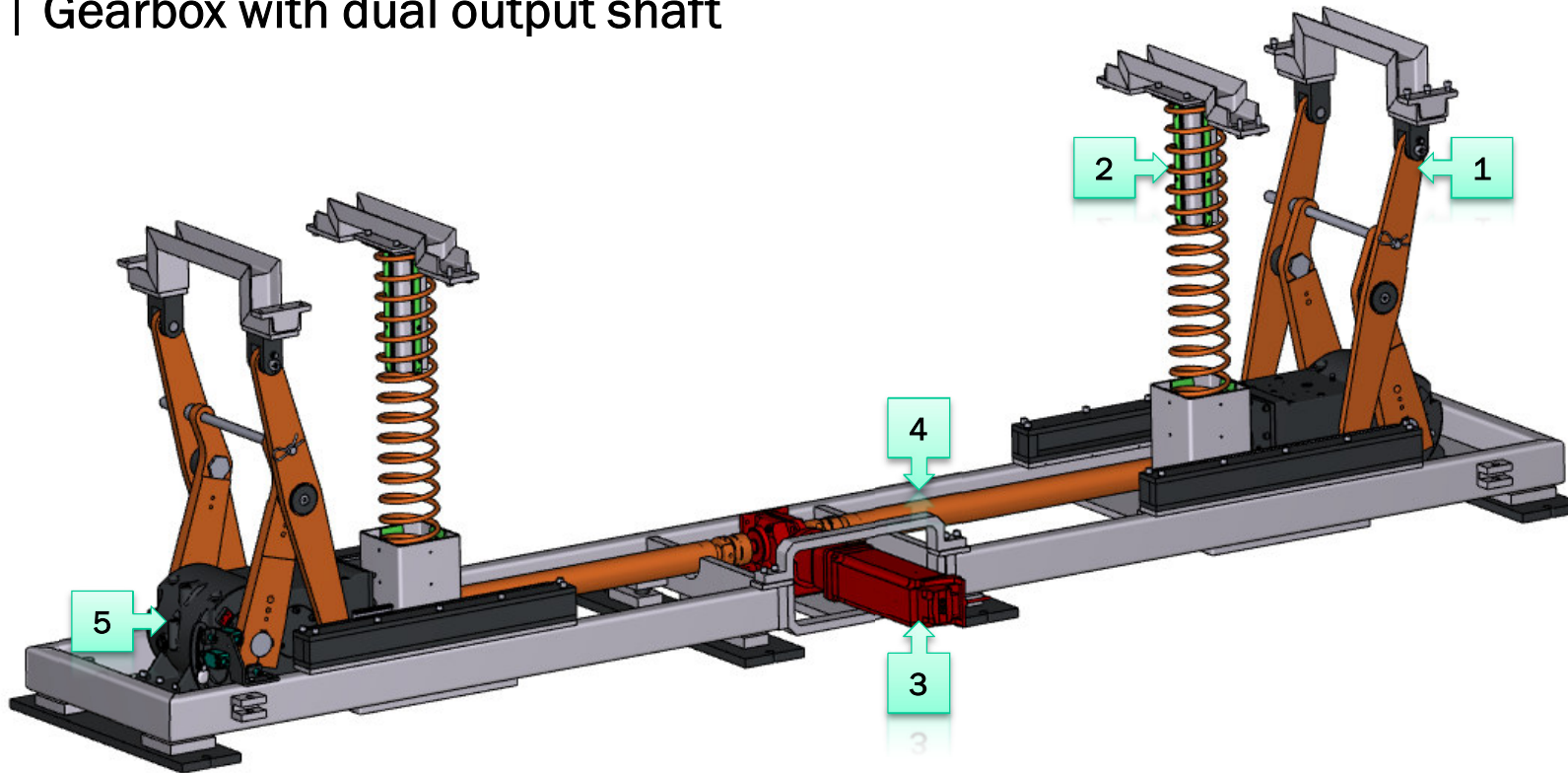


Position - UP



Position - DOWN

- 1 | Scissor-type lever with integrated guidance
- 2 | Two guided spring coils for energy storage
- 3 | Geared Servo-Motor
- 4 | Cardan Shaft for gearbox synchronisation
- 5 | Gearbox with dual output shaft



---

Thank you for your attention.

**Contact:**

EXPERT-TÜNKERS GmbH  
Seehofstr. 56-58  
64653 Lorsch

Phone +49 (0) 6251 / 592-0  
Fax +49 (0) 6251 / 592-100

E-Mail [sales@expert-tuenkers.de](mailto:sales@expert-tuenkers.de)  
Internet [www.expert-tuenkers.com](http://www.expert-tuenkers.com)