

EXPERT-TÜNKERS EDX Series

X – Fixed Partition Series

Standard rotary tables and trunnion drives with fixed indexing positions and maximum torque in very compact design.

Available Sizes:

EDX 610

EDX 700

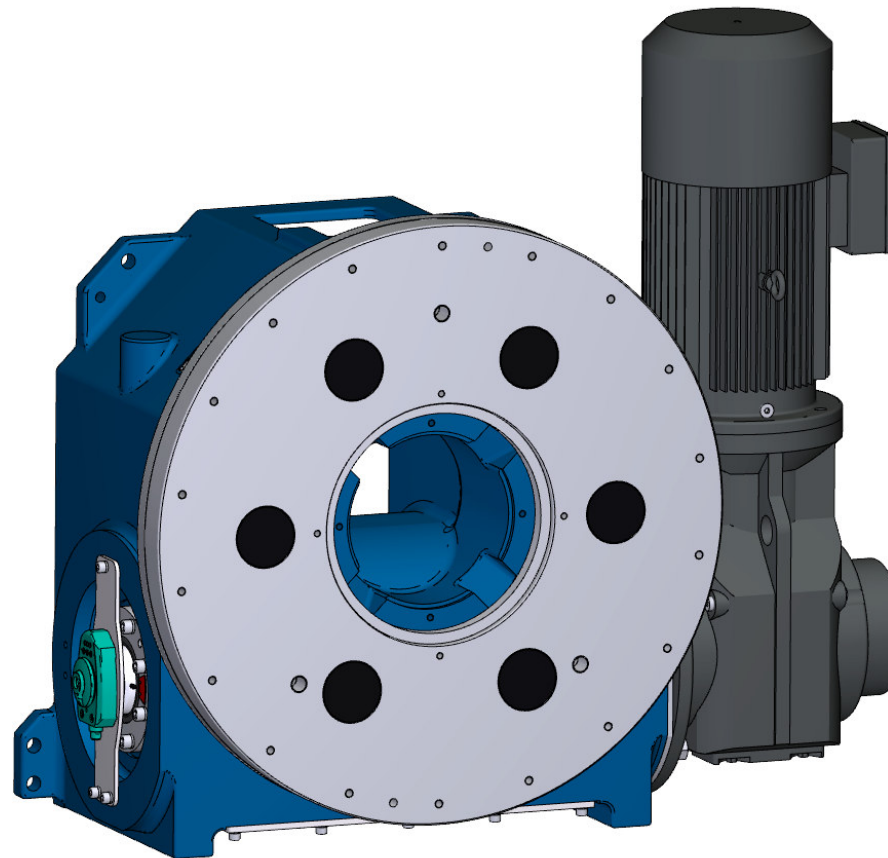
EDX 810

EDX 960

EDX 1170

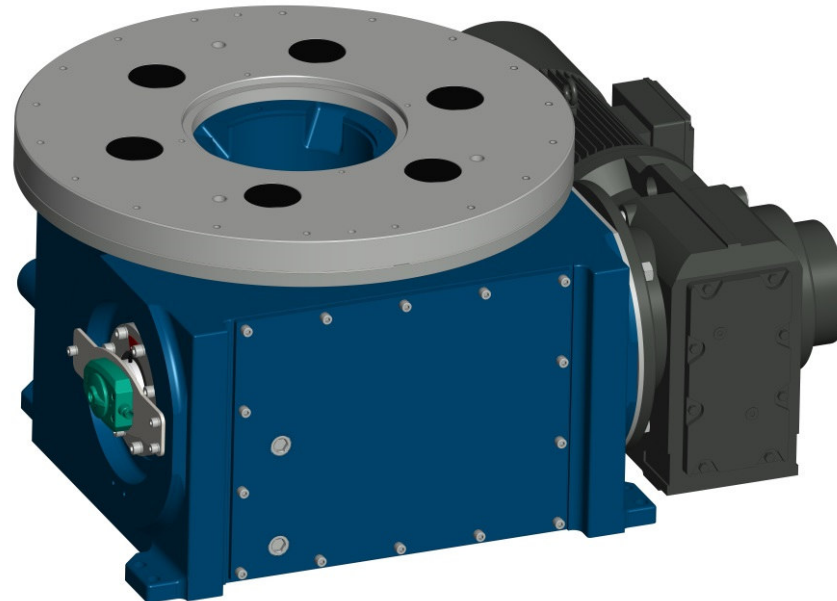
EDX 1370

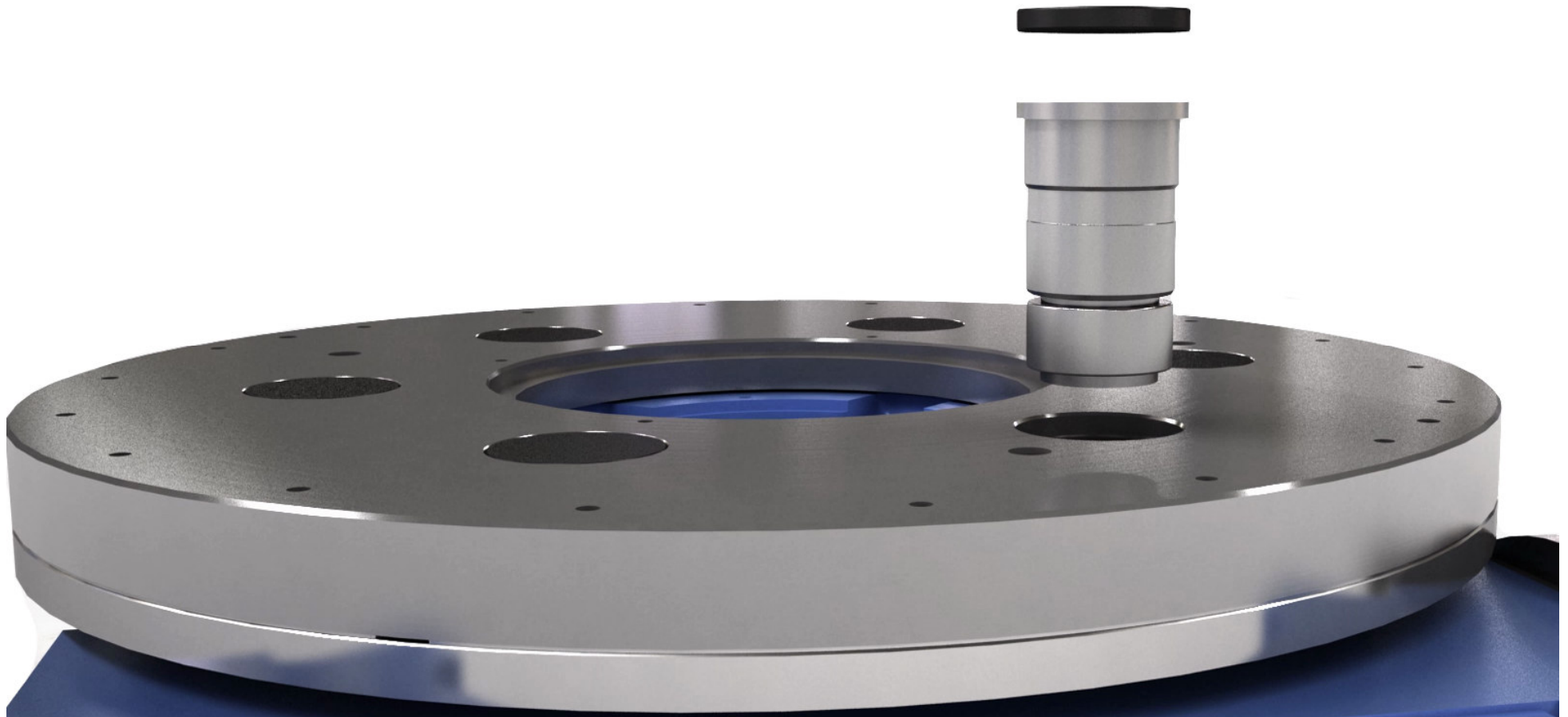
EDX 1600



With the EDX series there are always at least two cam followers engaged which provide for the force transmission from the cam to the rotary table within the range of acceleration and deceleration.

- In case of an emergency stop all forces are allocated to several cam followers.
- Higher torques can be transmitted on the basis of the same design.





Overloading rotary index drives, for instance, due to a crash or maloperation can cause damage to the cam followers.

The EXPERT-TÜNKERS design allows for easy and quick replacement of the cam followers from the top – even when the table is blocked.

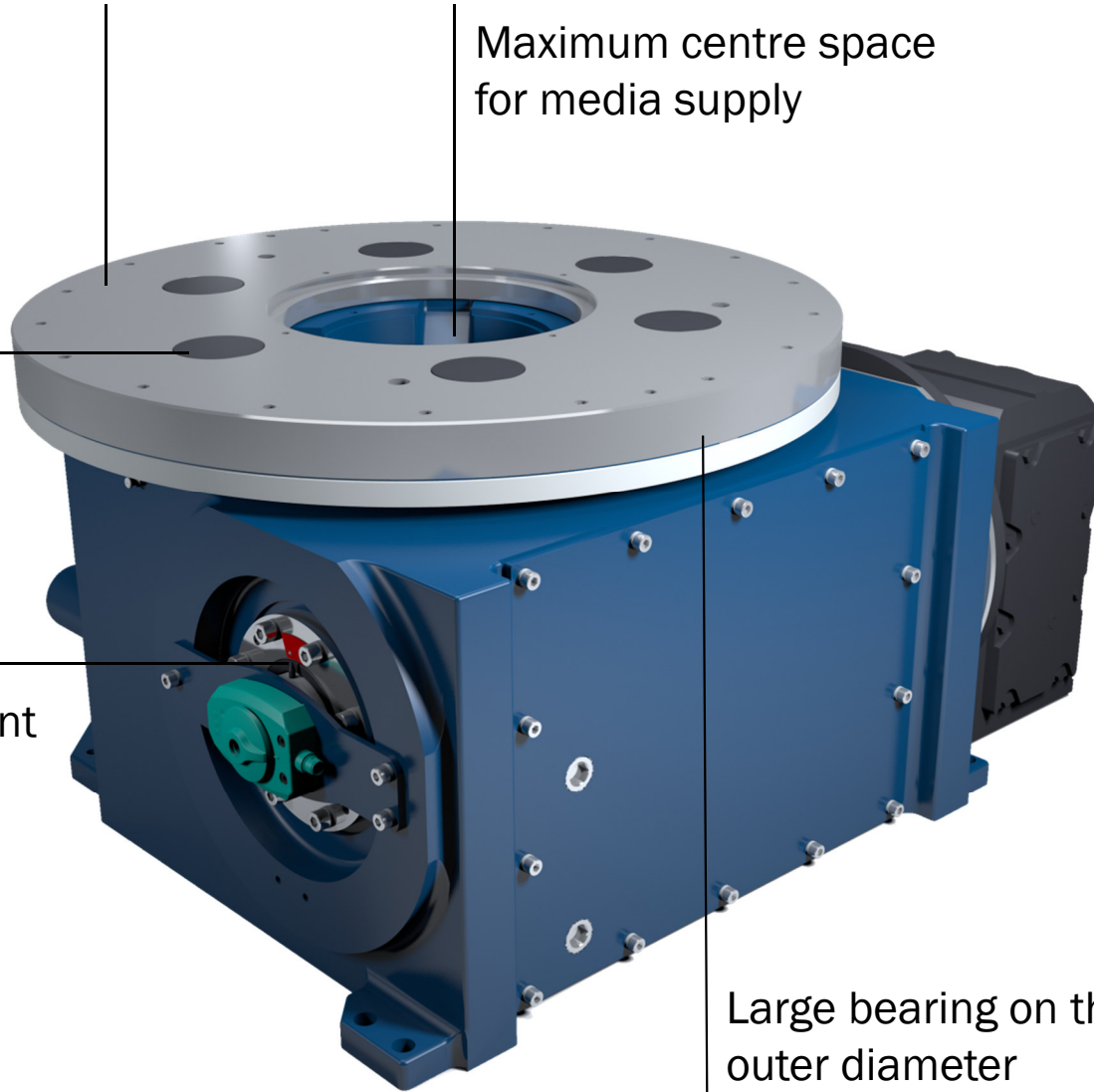
Solid, closed and plane table top plate with large mounting surface

Maximum centre space for media supply

Easy maintenance or exchange of cam followers from the top – no tooling removal required.

Minimum play in working position due to grooved cam principle and multi cam follower engagement

Large bearing on the outer diameter



Thank you for your attention.

Contact:

EXPERT-TÜNKERS GmbH
Seehofstr. 56-58
64653 Lorsch

Phone +49 (0) 6251 / 592-0
Fax +49 (0) 6251 / 592-100

E-Mail sales@expert-tuenkers.de
Internet www.expert-tuenkers.com