

## EXPERT-TÜNKERS EDM Series

- **Applications**

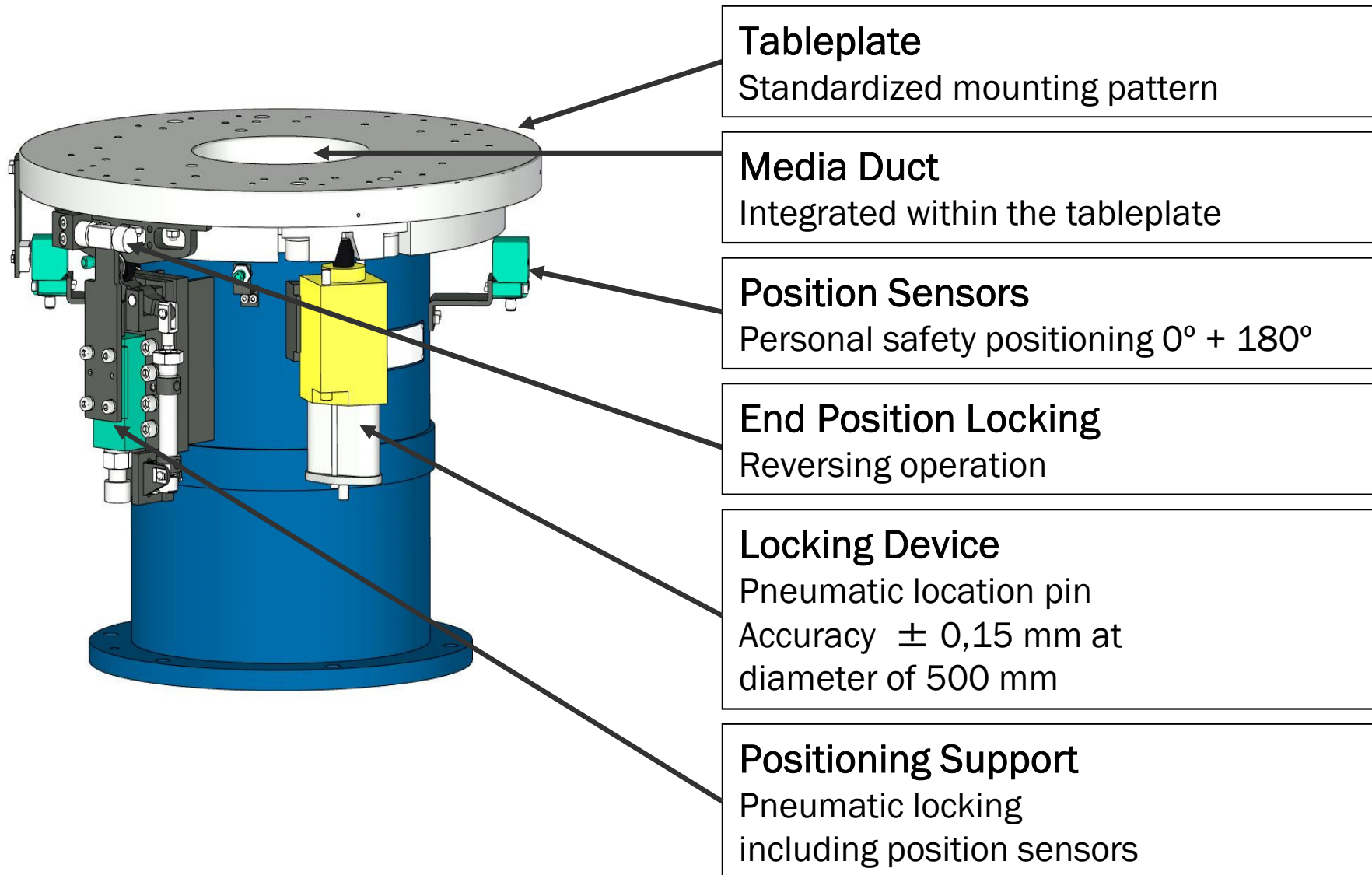
Simple rotary applications for up to 1,000 kg total mass

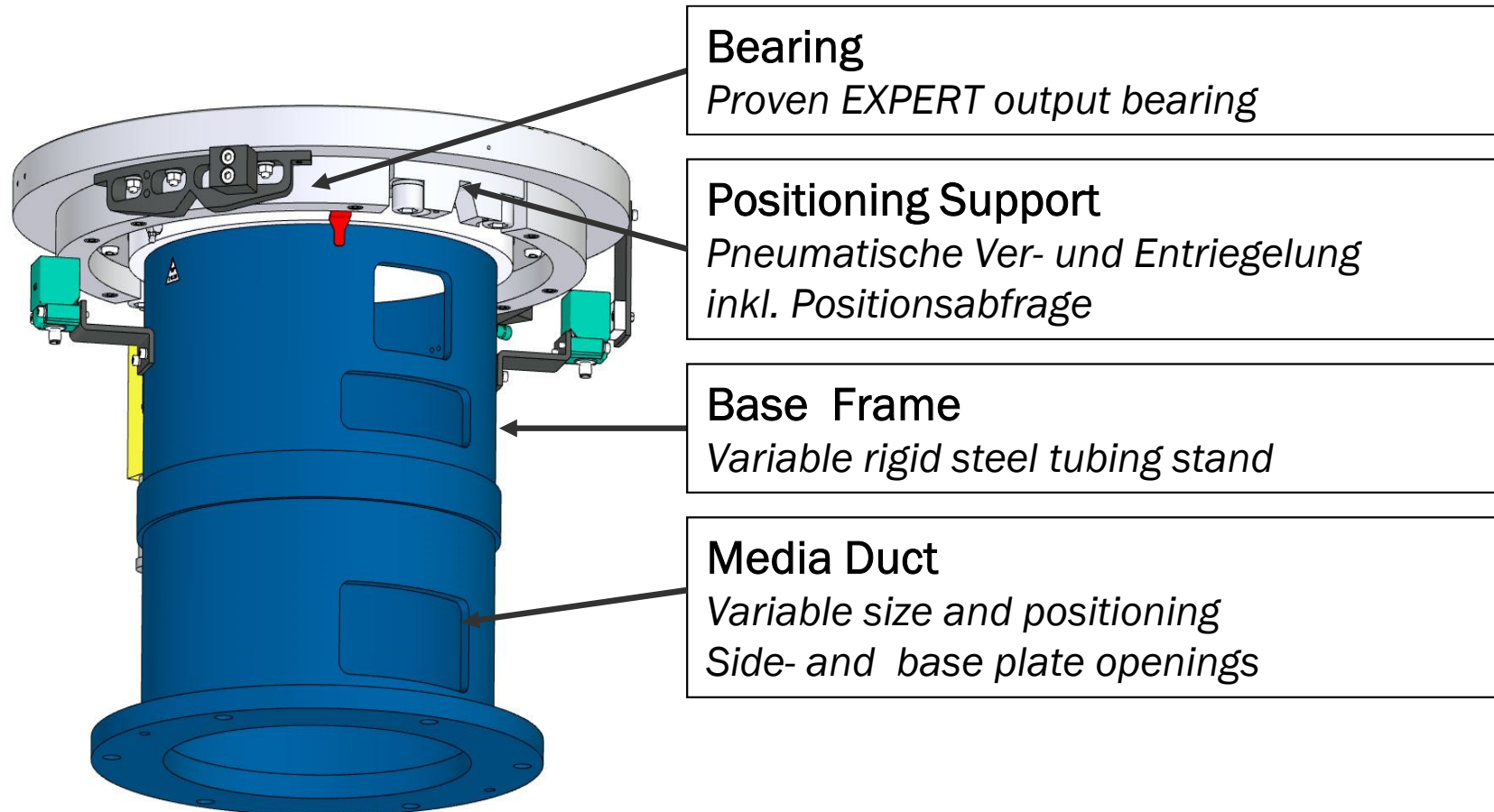
- **Application Examples**

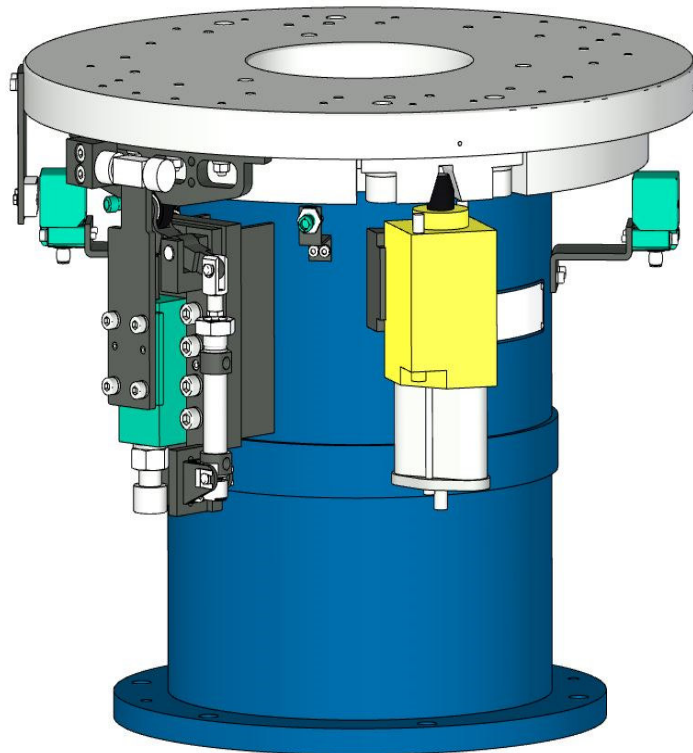
Discharging of parts

Manual station loading

Manual welding applications

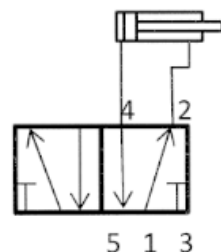
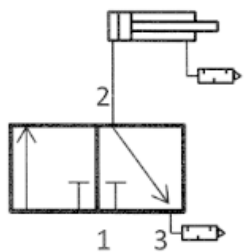






**Positioning Support**  
3/2 way valve

**Locking Device**  
5/2 way valve



**Application example – Pneumatic valves are not part of the delivery package!**

## 1 – Basic Position

### Locking Device

*Double-action pneumatic cylinder locked*

### Positioning Support

*Spring force locking device*

*Single-action pneumatic cylinder pressureless*

## 2 – Start of rotation cycle

### Locking Device

*Double-action pneumatic cylinder unlocked*

### Positioning Support

*Spring force locking device leaves position*

*Pneumatic cylinder with toggle lever supports unlocking*

*Sensor signals exiting of position*

*Compressed air supply switched off*

## 3 – End position

### Locking Device

*Spring force automatically locks positioning roll*

*Single-action pneumatic cylinder pressureless*

### Positioning Support

*Double-action pneumatic cylinder locked*

---

Thank you for your attention.

**Contact:**

EXPERT-TÜNKERS GmbH  
Seehofstr. 56-58  
64653 Lorsch

Phone +49 (0) 6251 / 592-0  
Fax +49 (0) 6251 / 592-100

E-Mail [sales@expert-tuenkers.de](mailto:sales@expert-tuenkers.de)  
Internet [www.expert-tuenkers.com](http://www.expert-tuenkers.com)