

EXPERT-TÜNKERS EDH - Series

H – High Performance Series

Flexible rotary tables and trunnion drives
with maximized output torque and compact design.

Available Sizes

EDH 610

EDH 700

EDH 810

EDH 960

EDH 1070

EDH 1170

EDH 1270

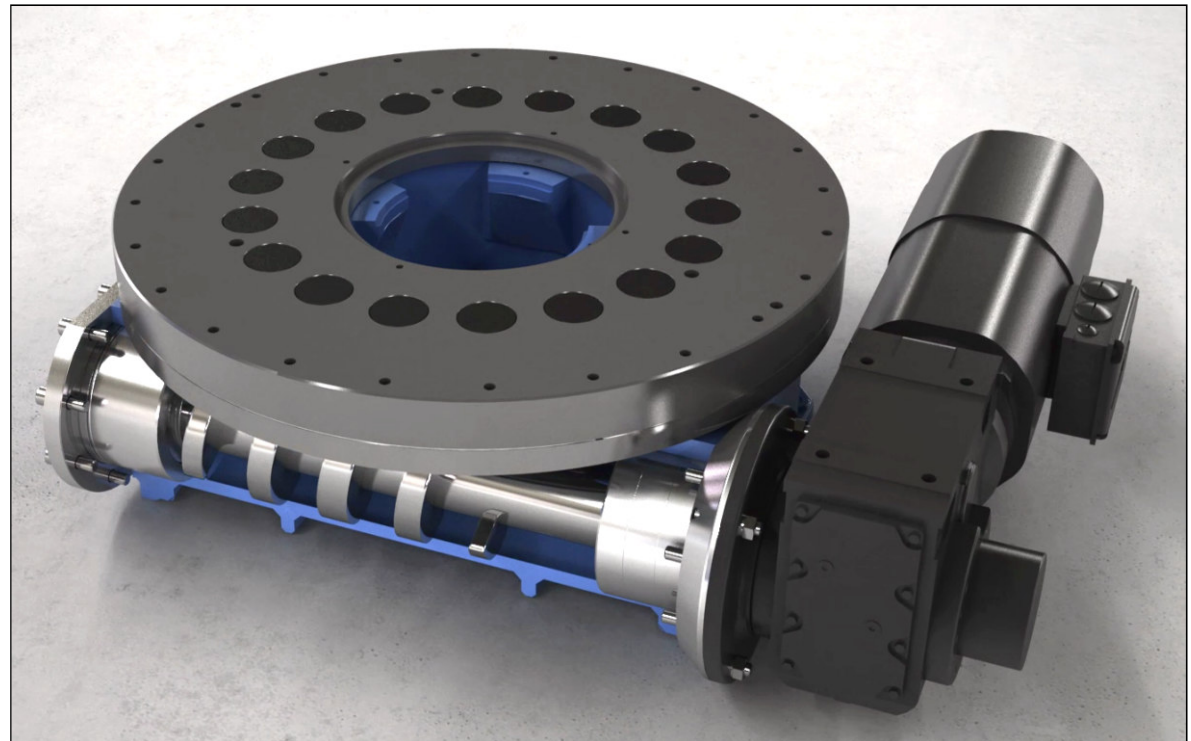
EDH 1370

EDH 1600

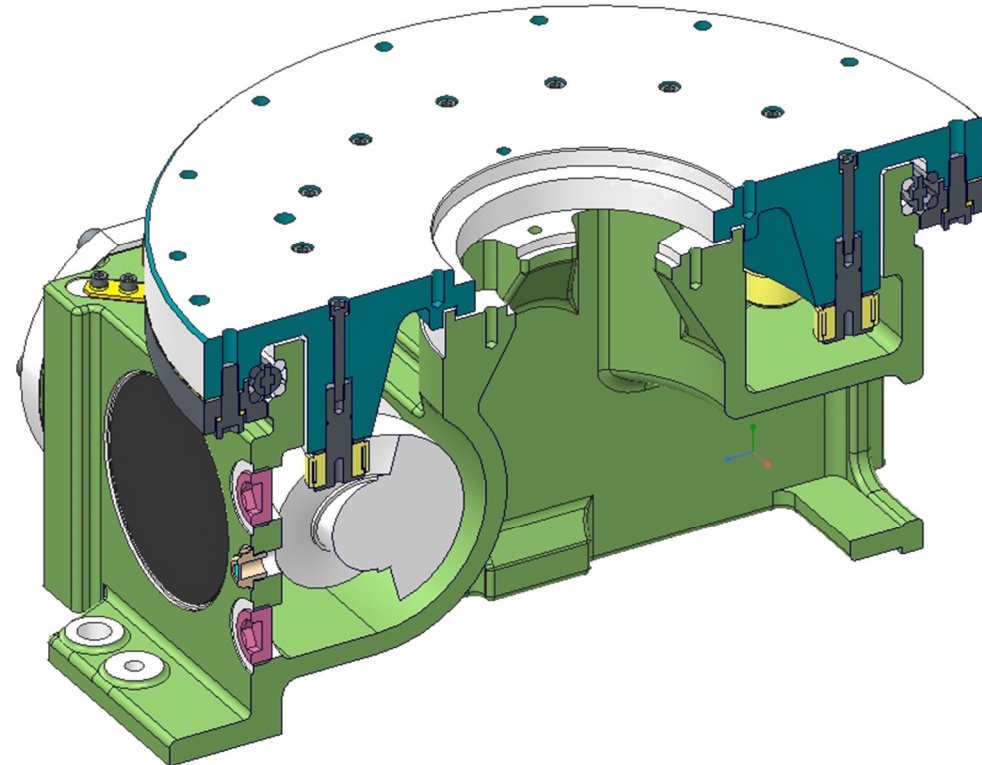
EDH 2050

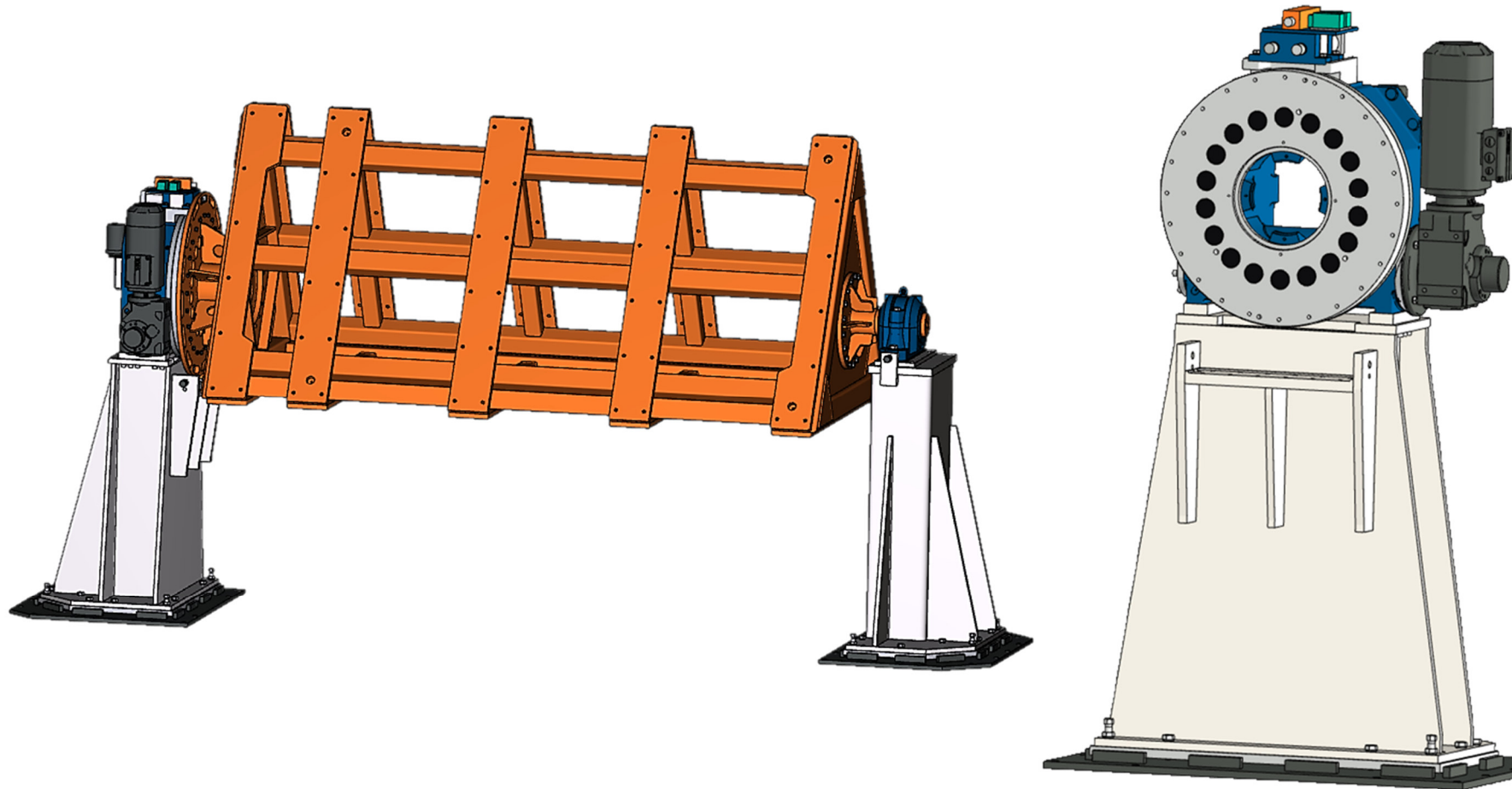
EDH 2550

EDH 3250



- + 60% more torque
- Bigger cam follower
- Larger output radius
- Cam follower inserted from below
- Overall height and desktop diameter are identical to the predecessor
- EDH 700 are now available





- Turn-Key trunnion solutions with flexible EXPERT EDH-series
- Individual solutions as requested by the customer
- Planning, design, production, assembly and installation
- Your single source solution



Optimized power transmission due to a minimum of three constantly engaged cam followers at any time – the reliable EXPERT-TÜNKERS Multi-Cam-Follower Principle!

- **Optimized Cycle Times**
Reduced cycle times, higher production output
- **Optimized Emergency Stop**
Optimal distribution of braking forces
Avoidance of mechanical damage of cam followers
- **Optimized Dimensions**
Higher torques with identical dimensions

Maximized Mounting Surface

One-piece table top
Level mounting surface

Optimized Media Duct

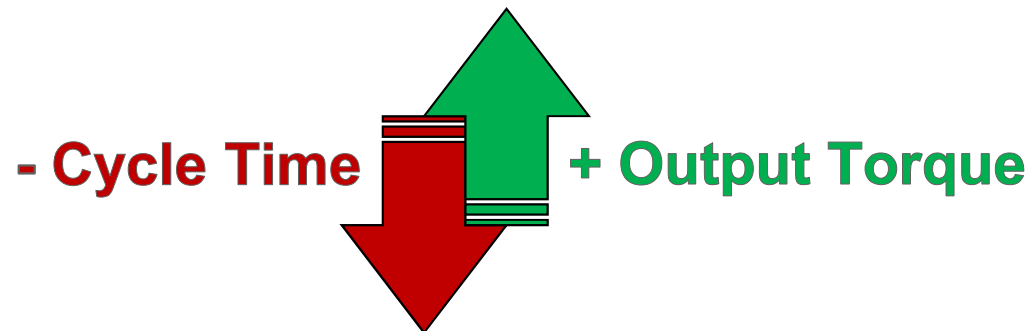
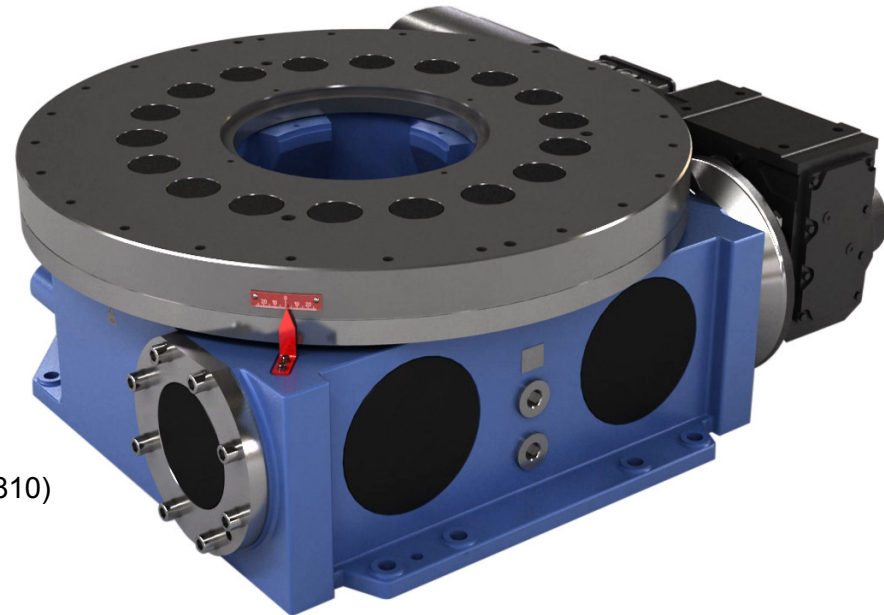
Maximized central supply duct
Quick and easy media supply

Maintenance Friendly

Can follow maintenance from the top (as of size 810)
No tooling removal necessary!

Heavy Duty Bearing

Output bearing with maximum diameter



The EXPERT-TÜNKERS Design allows an easy and quick inspection and removal of cam followers – even at a jammed table!



The overload of an index drive, i.e. due to a crash or malfunction can cause serious damage to the cam followers. The maintenance friendly EXPERT-TÜNKERS design significantly reduces downtimes and loss of production.



- **Multi-Cam-Follower Principle**
Constant engagement of several cam followers
- **Maintenance Friendly Design**
Cam Follower inspection from the top, without tooling removal
- **High Precision**
High-precision fit in working position due to cylindrical cam profile principle
- **Cost Efficiency**
Compact design and optimized mechanical concept

Thank you for your attention.

Contact:

EXPERT-TÜNKERS GmbH
Seehofstr. 56-58
64653 Lorsch

Phone +49 (0) 6251 / 592-0
Fax +49 (0) 6251 / 592-100

E-Mail sales@expert-tuenkers.de
Internet www.expert-tuenkers.com