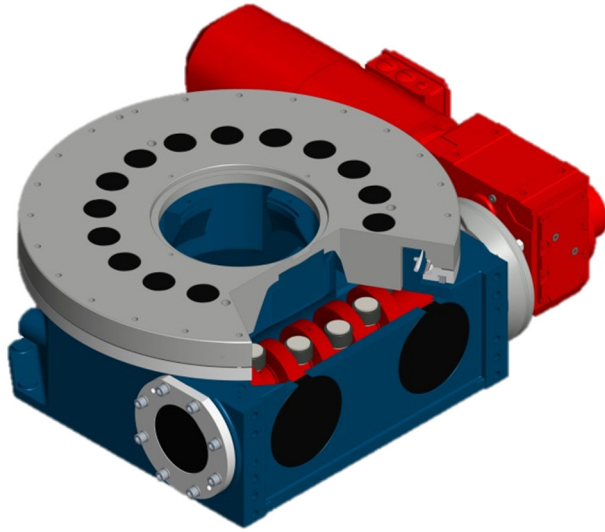


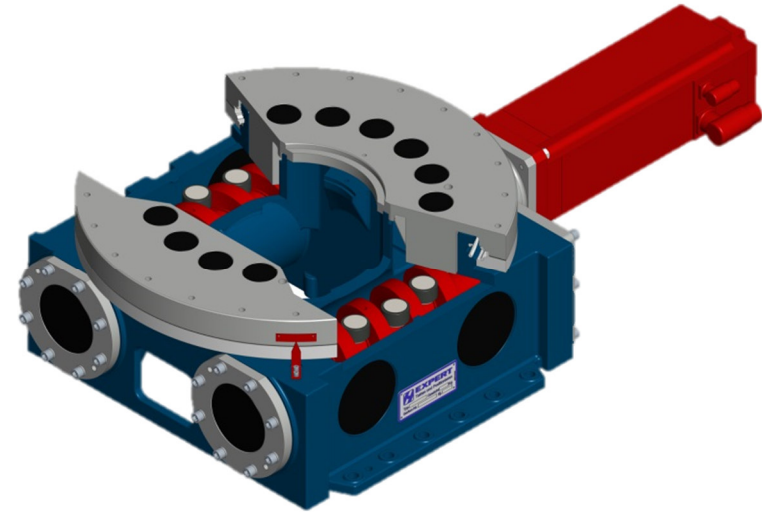
EXPERT-TÜNKERS EDC - Series



Conventional Drive Design

(EXPERT EDH-Series)

- Powered by a single cam
- Flanged motor with external gearbox



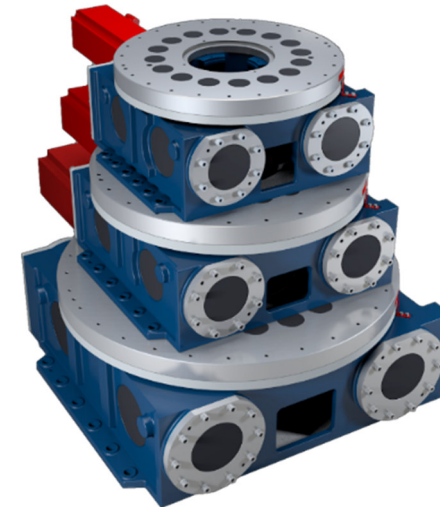
EDC – Drive Design

- Powered by two synchronized cams
- Integrated gearbox
- Flanged motor

EDC – Expert Double Cam

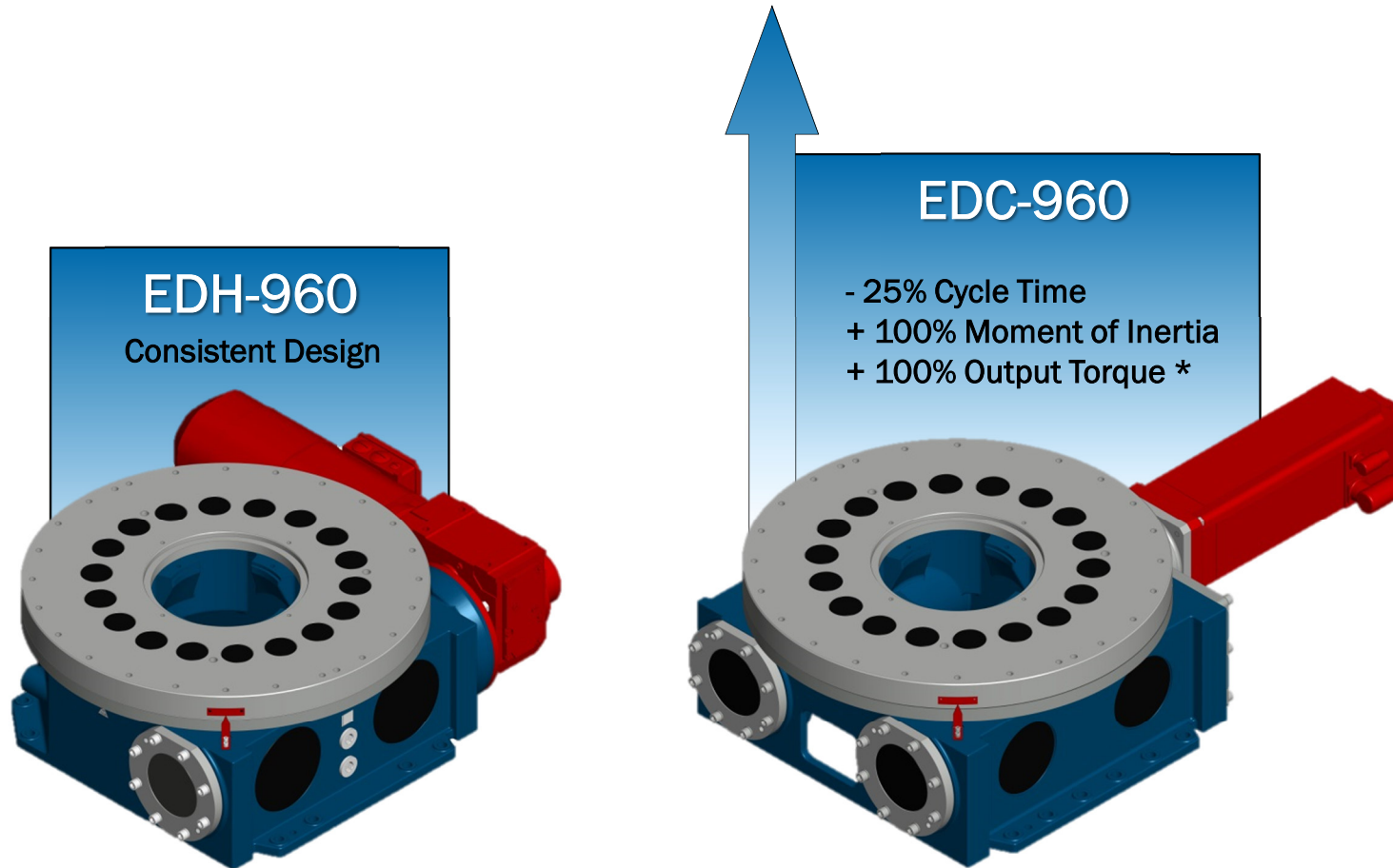
Flexible Double Cam Index Drive

with maximized output torque at compact design

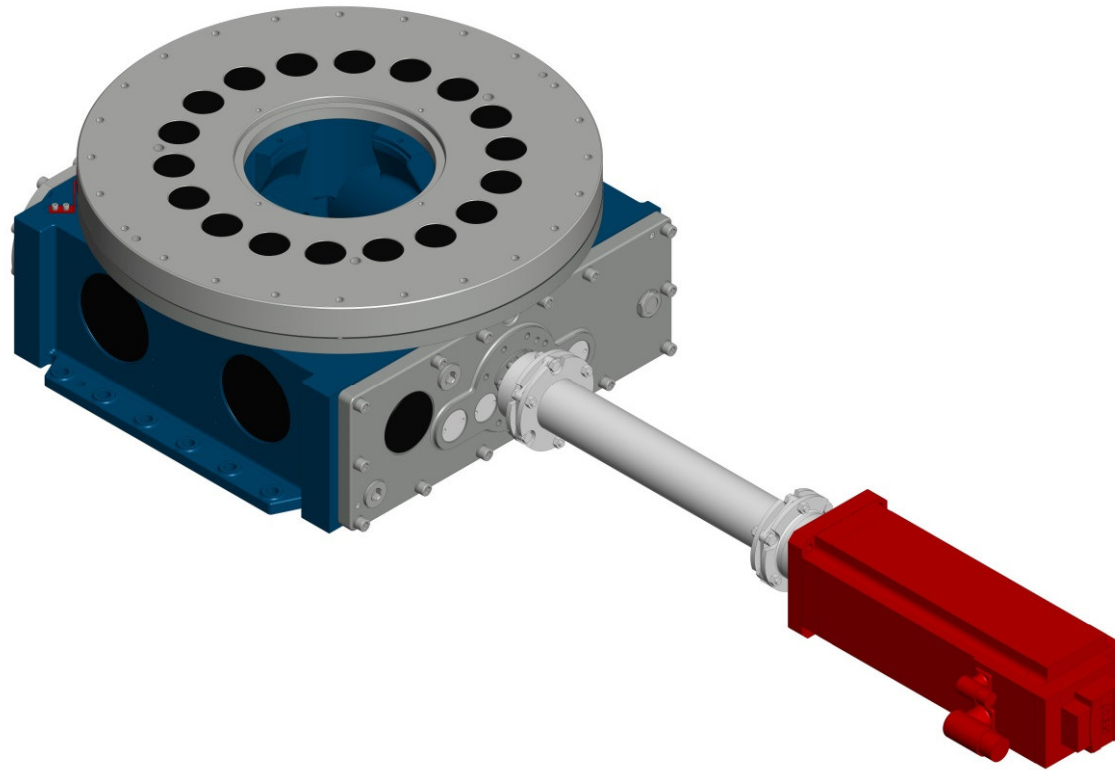


Comparison EDH - Series & EDC - Series

Size EDC	Output Torque EDC	Size EDH	Output Torque EDH
EDC 810	8.000 Nm	EDH 700	1.500 Nm
		EDH 810	4.000 Nm
EDC 960	16.000 Nm	EDH 960	8.000 Nm
		EDH 1170	15.000 Nm
EDC 1170	30.000 Nm	EDH 1370	25.000 Nm
		EDH 1600	40.000 Nm

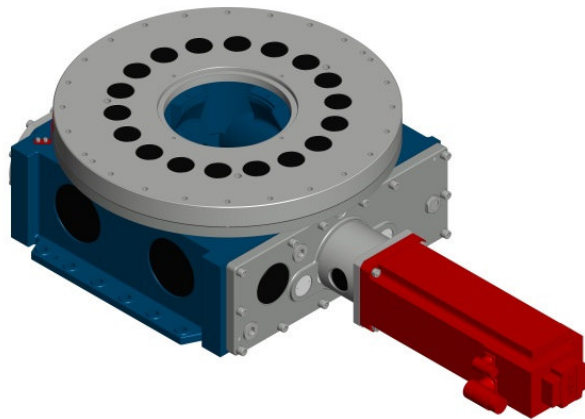


* Reduced Cycle Time in seconds
Doubled Moment of Inertia (M of I) in kgm^3
Doubled Output Torque in Nm

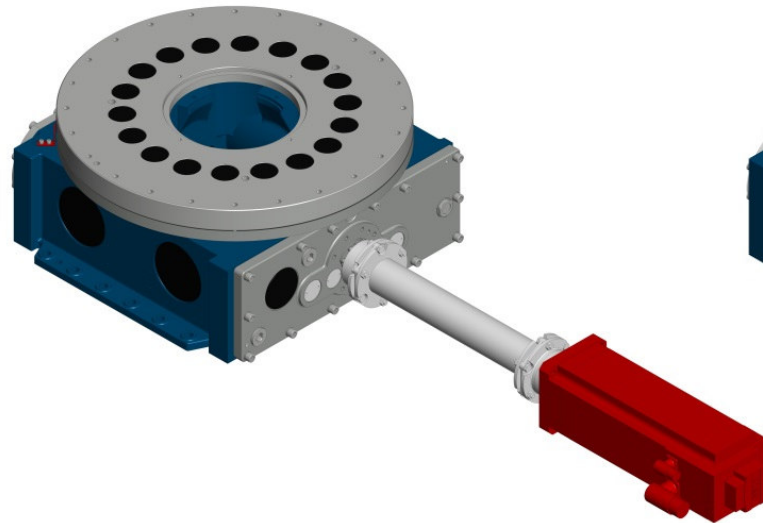


- **Variable Drive Positioning**
Customer oriented drive setup
- **Maintenance friendly**
Reduced dismounting time
Quick drive exchange

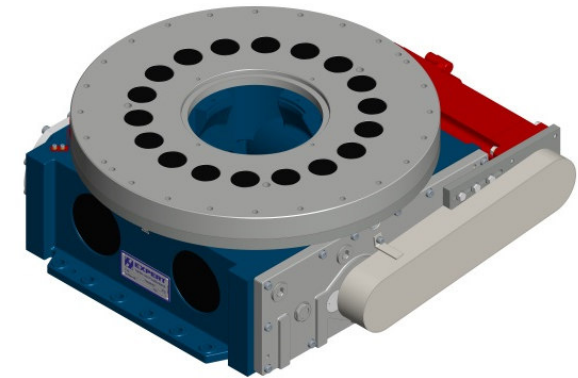
The EXPERT-TÜNKERS Rotary Tables of the EDC-Series provide an improved flexibility in drive positioning.



Standard Drive
Positioning

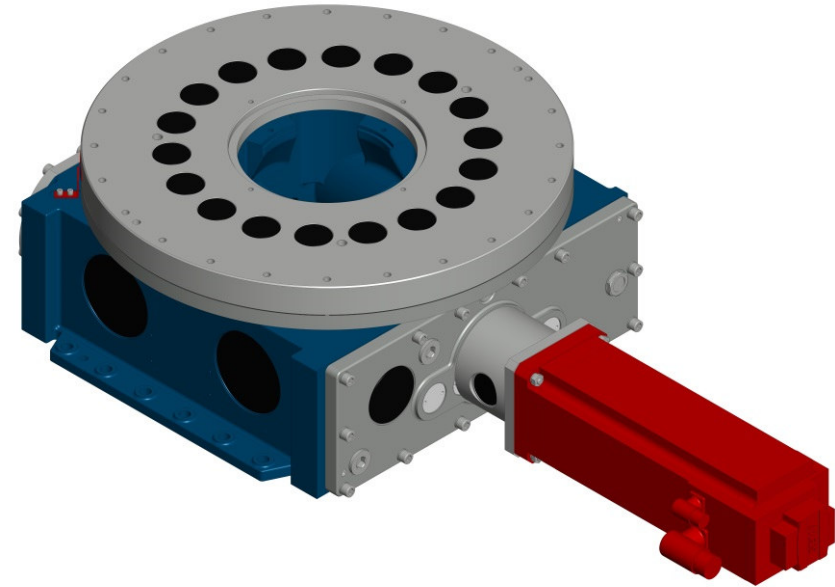


External Drive Positioning
with camshaft



Side Drive Positioning
with timing belt

- **Variable Drive Positioning**
 - *Direct Mounting at Rotary Index Drive*
 - *Remote Mounting with transmission shaft*
- **Integrated Gearbox**
 - *Drive-Quick-Swap System*
 - *Maintenance friendly*
 - *Custom drive selection*
- **Improved Performance**
 - *Doubled torque* at identical dimensions*
- **Cost-Efficient**
 - *Only one servo motor needed*
- **Reliable Design**
 - *Based on the precise and powerful EXPERT-TÜNKERS Cam Follower Concept*



* Compared to identical index drive of EXPERT EDH-Series

Thank you for your attention.

Contact:

EXPERT-TÜNKERS GmbH
Seehofstr. 56-58
64653 Lorsch

Phone +49 (0) 6251 / 592-0
Fax +49 (0) 6251 / 592-100

E-Mail sales@expert-tuenkers.de
Internet www.expert-tuenkers.com